

## zone distribution BOX - CEILING

The DIRTT Power Zone Distribution Box is the place where agility in your power system becomes a reality. As the transition point from home run cabling into easily reconfigurable modular power distribution components, the Zone Distribution Box introduces 'Plug & Play' power into each location of your space. Adjusting to initial design and future demands, the Zone Distribution Boxes can be easily reconfigured at any time without losing certification. Every box is the same for easy asset management and provides ample room for working inside. The box is designed to provide a home for other technologies such as data and security systems. Flexible whips can easily make 90-degree turns. DIRTT Zone Distribution provides modular agility in either floor or ceiling applications.

Available in 2-whip or 4-whip versions, compatible with either 4-circuit or 3-circuit 8-wire configurations.

# GENERAL SPECIFICATIONS

- 20 Amp 120V/208Y 60Hz
- 16 gauge galvanized steel construction with 1/2" (12mm) and 3/4" (19mm) knockouts
- Zone Distribution Box supplied by DIRTT, installed by a licensed electrician
- Modular assemblies are pre-wired to terminal blocks according to specified configurations. The following are available:
  - 4 circuit configuration can support 2+2, 3+1, or 1+3 as per building wiring topology
  - 3 circuit configuration has separate neutrals which allows support of several building wiring topologies
- 4 circuit system provides 4-12 AWG phase conductors / 2-10AWG neutral conductors / 2-12 AWG ground conductors
- 3 circuit system provides 3-12 AWG phase conductors / 3-12AWG neutral conductors / 2-12 AWG groundconductors
- 4 circuit configuration provides 4 to 16 circuits
- 3 circuit configuration provides 3 to 12 circuits
- Connectors have color coded tags and polarity keys to prevent interconnection of 3 circuit and 4 circuit components

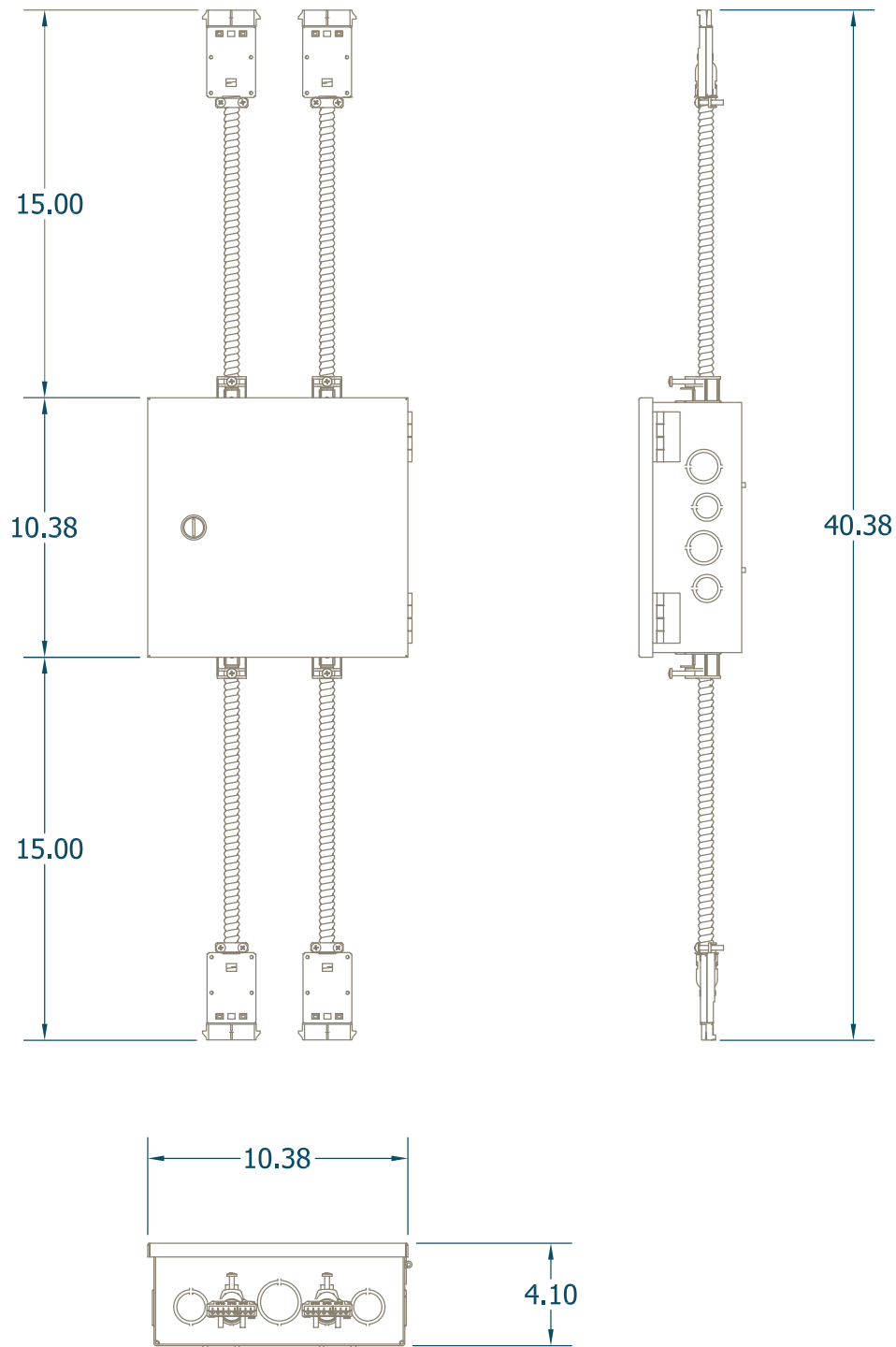
## LISTINGS

- UL listed. Manufactured wiring system per UL 183. CSA Certified to CSA standard C22.2 No.203-M
- Also listed to UL 514A
- All DIRTT components are tested at manufacturing facility

## APPLICABLE CODES

Zone Distribution Boxes must be installed by a licensed electrician in accordance with the NEC, CEC and local electrical codes.

# BOX DIMENSIONS & SPECIFICATIONS



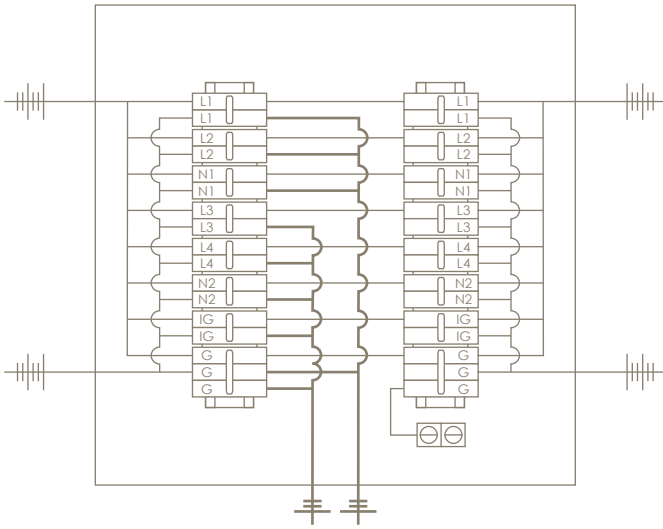
## 4 WHIP ZONE DISTRIBUTION BOX - CEILING

4 - 15" (356mm) whips w/ male Quick-connect plugs

Available in 3 circuit and 4 circuit Systems or a design/build

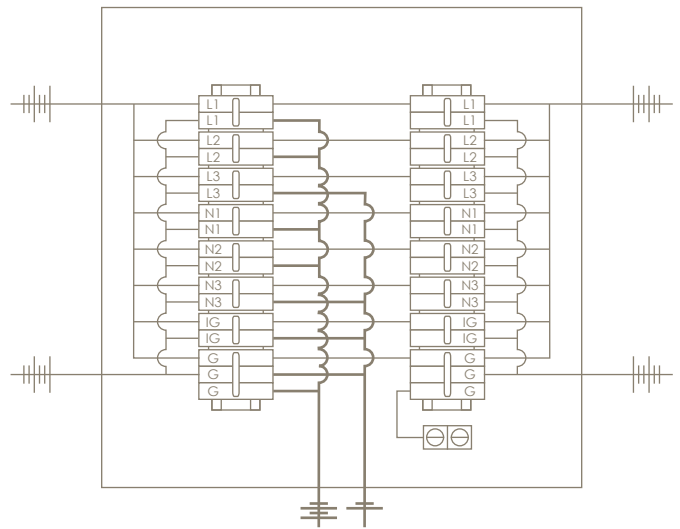
- Specify 4, 8 or 16 circuit configuration 4 circuit system
- Specify 3, 6 or 12 circuit configuration 3 circuit system

# WIRING SCHEMATICS



Homerun Cables

4/2/2 SCHEMATIC



Homerun Cables

3/3/2 SCHEMATIC