

WSCS WALL BOX

The WSCS Box provides the capacity for installing multiple duplex power outlets as well as multiple data ports in a movable or fixed in place environment. The devices are contained in a metal enclosure with a unique *Flush Fit* Feature that allows the box to be adjusted to the thickness of the wall finish. The WSCS can be configured to meet the requirements of even the most comprehensive specification and/or intense user requirements.



Integrates with:



quadra
NET



spider
NET

GENERAL SPECIFICATIONS

- 20 Amp 120V/208Y 60Hz
- Available constructions
 - Empty
 - Pre-wired with a 15" to 15 ft whip with a quick connect end
 - Pre-wired with a specified length open pigtail for hardwire applications
- Trim and faceplates have a scratch and scuff resistant textured pebble finish
- "Flush fit" feature allows the box to be adjusted to the thickness of the wall finish
- 16 gauge galvanized steel box and wiring chamber
- Positionable interior barrier isolates power and data circuits
- Faceplates (black, gray, ivory, white) supplied and installed by Spider
- Specify data face plates when data is required otherwise the ports will come with a blank cover plate
- Available in 332 independent neutral or 422 shared neutral configurations
- Connectors come with color coded tags and polarity keys to prevent interconnection of 3 and 4 circuit components

LISTINGS

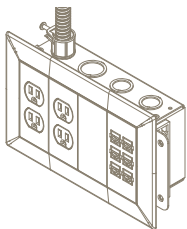
- UL listed Manufactured wiring system per UL 183.
- UL listed Metallic Outlet Boxes per UL 514a
- UL listed Wiring Assembly per UL 5 and UL 5a
- CSA Certified per CSA standard C22.2 No 203.1

APPLICABLE CODES

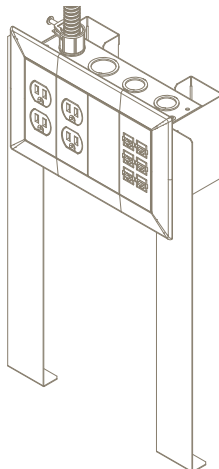
- WSCS boxes must be installed in accordance with the NEC, CEC and local electrical codes.

MOUNTING OPTIONS

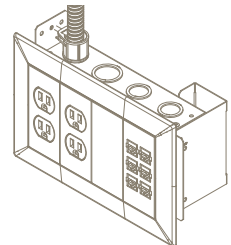
Plastic Brackets - Stud Mount



Metal Brackets – Mid Span

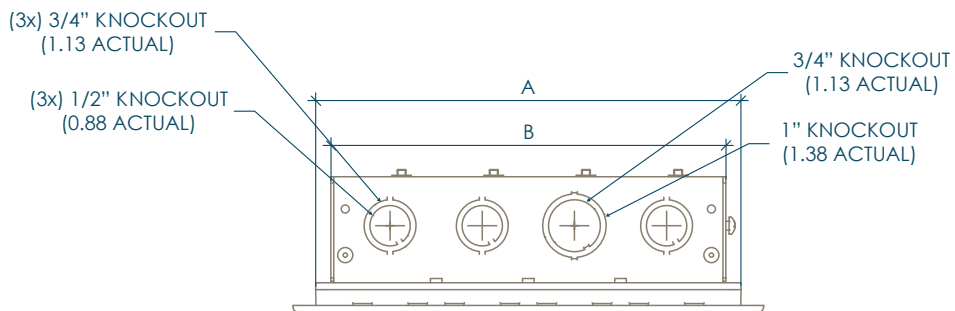
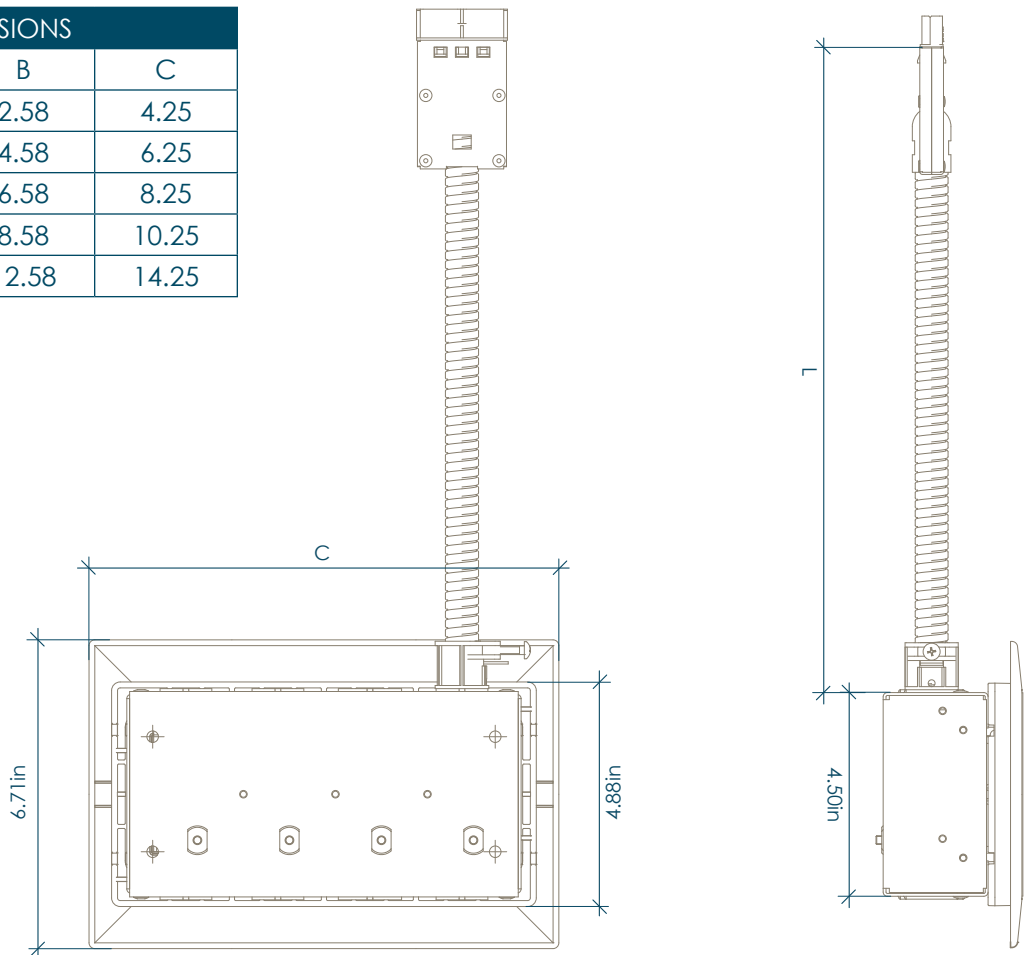


Metal Brackets – Stud Mount



BOX DIMENSIONS & SPECIFICATIONS

WSCS DIMENSIONS			
WSCS	A	B	C
1	2.75	2.58	4.25
2	4.75	4.58	6.25
3	7.25	6.58	8.25
4	9.25	8.58	10.25
6	13.25	12.58	14.25



WSCS

1 whip 15" - 15 ft long w/ male or female Quick-connect plugs

Available in 3 circuit or 4 circuit Systems or configured to meet job-specific conditions