

round access floor BOX

The Spider Round Access Floor Box (RAFB) is the place where agility in your power system becomes a reality. As the access point for the user, the RAFB allows for the integration of power, voice-data and audio-visual connections in an easily installed, modular design. Adjusting to initial requirements and future demands, the RAFB provides ample room for delivering these utilities in various configurations and the round design simplifies asset management with installation or relocation occurring in the same cut-out as an air diffuser. 'Plug and Play' power is connected with an 'extra-flex' whip to allow the RAFB to be installed in any orientation and the Spider patented 'Quick-in' system anchors each box to the raised floor panel in seconds (Spider Round Access Floor provides modular agility in raised access floors that are 8" or higher.)

Available with a male or female whip, compatible with either 4-circuit or 3-circuit with up to a 8-wire configuration.



Integrates with:



quadra
NET



spider
NET

GENERAL SPECIFICATIONS

- Available empty or pre-wired with a quick connect modular connector.
- Spider's Patented "QUICK IN" installation no assembly (or disassembly) required.
- Fits inside a standard 8 3/8" (212.725mm) air diffuser hole.
- Durable metal powder-coated trim and lid (Black or Granite).
- Patented double-hinged lid (lid flips back flat in open position) eliminating potential for lid breakage during install and/or re-install.
- Lid provides 2 hinged cable doors that snap to the underside of the lid for cable egress eliminating potential trip hazards.
- SPIDER modular Data-A/V faceplates (black, gray, ivory, white) available allowing integration of various and multiple technologies.
- Minimum depth 8" (203.2mm) deep from top of floor tile.
- 16 gauge galvanized steel wiring chamber.
- Rated for 20 Amp 120V/208Y 60Hz.

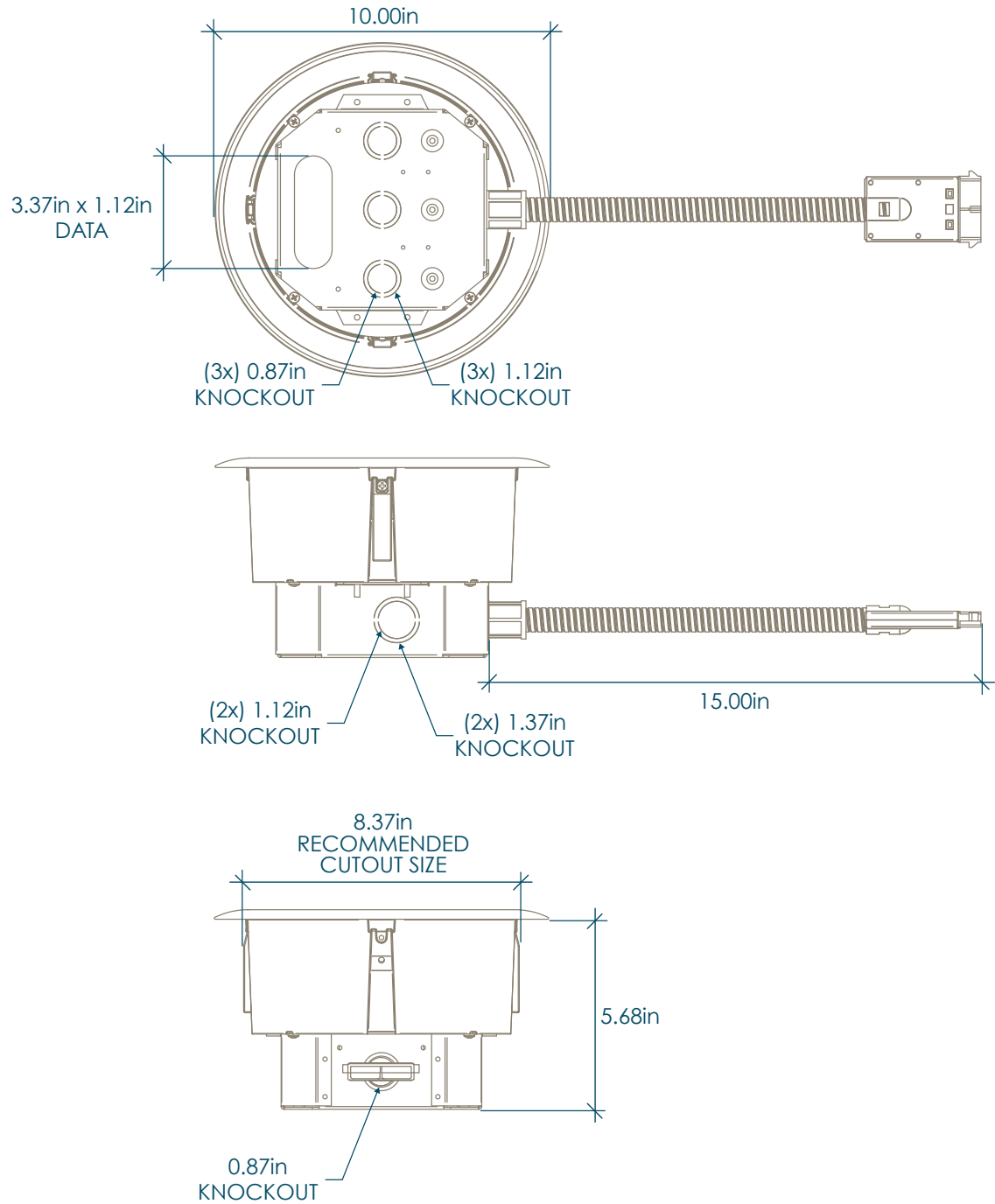
LISTINGS

- UL listed. Manufactured wiring system per UL 183.
- UL listed UL 514A Metallic Outlet Box
- CSA Certified to CSA standard C2.2 No 203-M

APPLICABLE CODES

- Access Floor boxes must be installed in accordance with the NEC, CEC and local electrical codes.

BOX DIMENSIONS & SPECIFICATIONS



Round Access Floor Box

1 - 15" (356mm) whips w/ male or female Quick-connect plugs
Available in 3 circuit and 4 circuit Systems or a design/build