

## panel manager BOX

United States Patent No. 8,162,686

The Spider Panel Manager is the place where agility in your power system becomes a reality. As the transition point from the building's Electrical Panel into easily reconfigurable modular power distribution components, the Panel Manager introduces 'Plug & Play' power to your space. You can achieve excellent long-term agility to respond to change using Spider's Panel Manager distribution system. Implement localized zones for easy plug & play modifications in specific areas, but all the initial configurations as well as future moves, adds, and changes are accomplished in one location – at the Panel.

Compatible with either 4-circuit or 3-circuit 8-wire configurations.



Integrates with:



quadra  
NET



spider  
NET

# GENERAL SPECIFICATIONS

- 20 Amp 120V/208Y 60Hz
- 16 gauge galvanized steel construction with ample space for the electrician to provide knockouts
- Panel Manager Box supplied by Spider, installed by a licensed electrician
- Modular connectors are pre-wired to terminal blocks according to specified configurations. The following are available:
  - 4 circuit configuration can support 2+2, 3+1, or 1+3 as per building wiring topology
  - 3 circuit configuration has separate neutrals which allows support of several building wiring topologies
- 4 circuit system provides 4-12 AWG phase conductors / 2-10AWG neutral conductors / 2-12 AWG ground conductors
- 3 circuit system provides 3-12 AWG phase conductors / 3-12AWG neutral conductors / 2-12 AWG ground conductors
- 4 circuit configuration provides 4 to 56 circuits
- 3 circuit configuration provides 3 to 42 circuits
- All Spider components are tested at the manufacturing facilities
- Connectors have color coded tags and polarity keys to prevent interconnection of 3 circuit and 4 circuit components

## LISTINGS

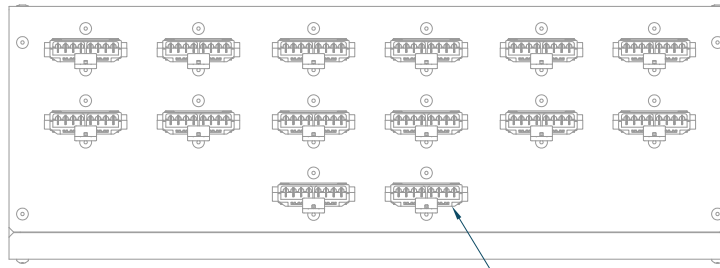
- UL Listed (UL Standard 183)
- CSA Certified (CSA Standard C22.2 NO.203.1)

## APPLICABLE CODES

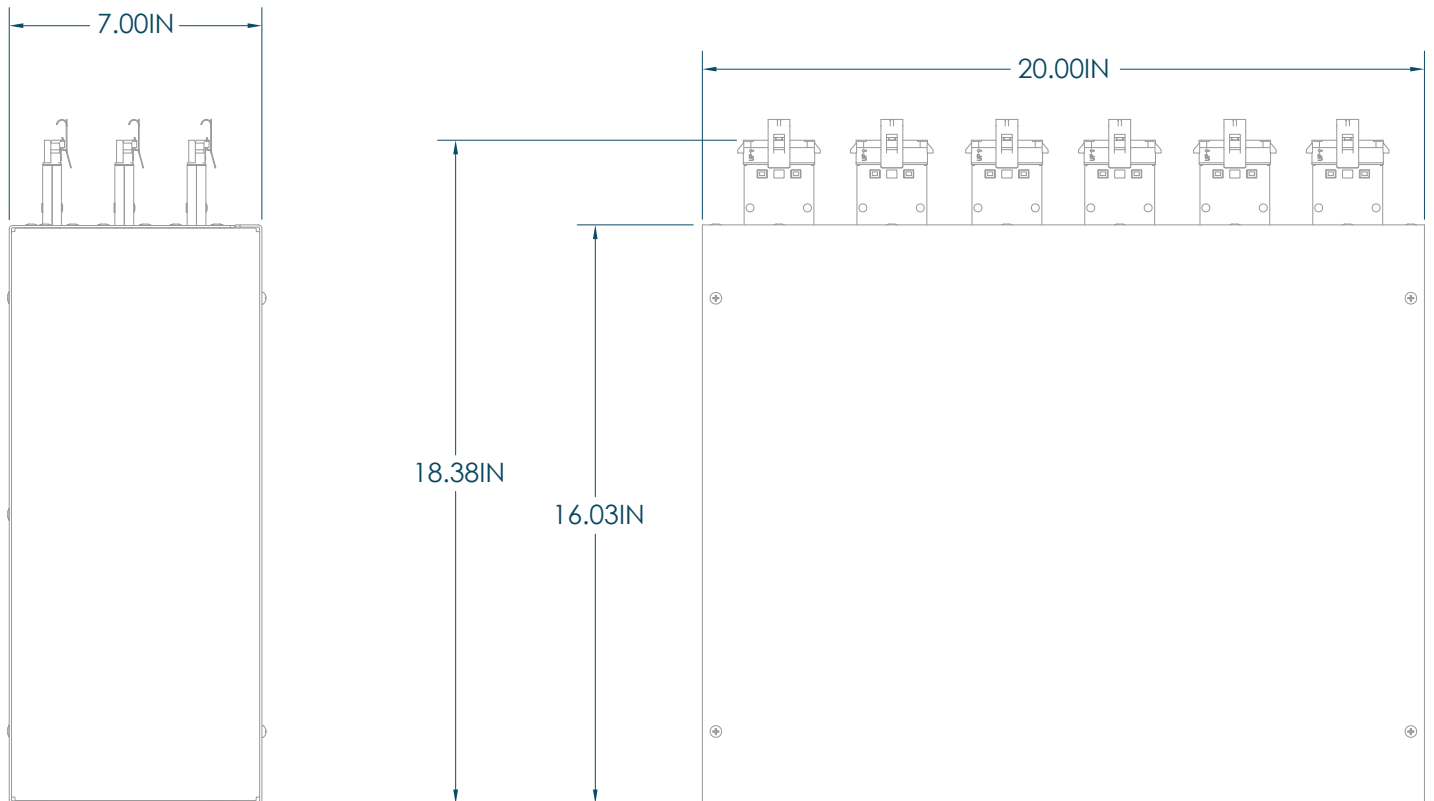
Panel Manager Box must be installed by a licensed electrician in accordance with the NEC, CEC and local electrical codes.

# BOX DIMENSIONS & SPECIFICATIONS

## 42 Circuit Panel Manager



(14X) 8-WIRE CONNECTOR  
MAX 4 CIRCUITS PER  
CONNECTION



## PANEL MANAGER BOX

42 Circuit has 14 – Panel Mount Quick-connect plugs

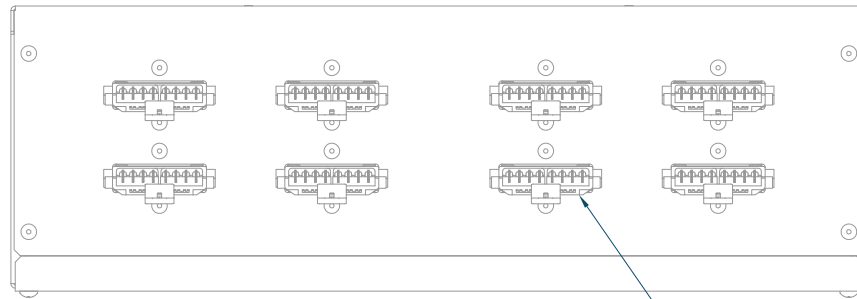
24 Circuit has 8 – Panel Mount Quick-connect plugs

Available in 3 circuit and 4 circuit Systems

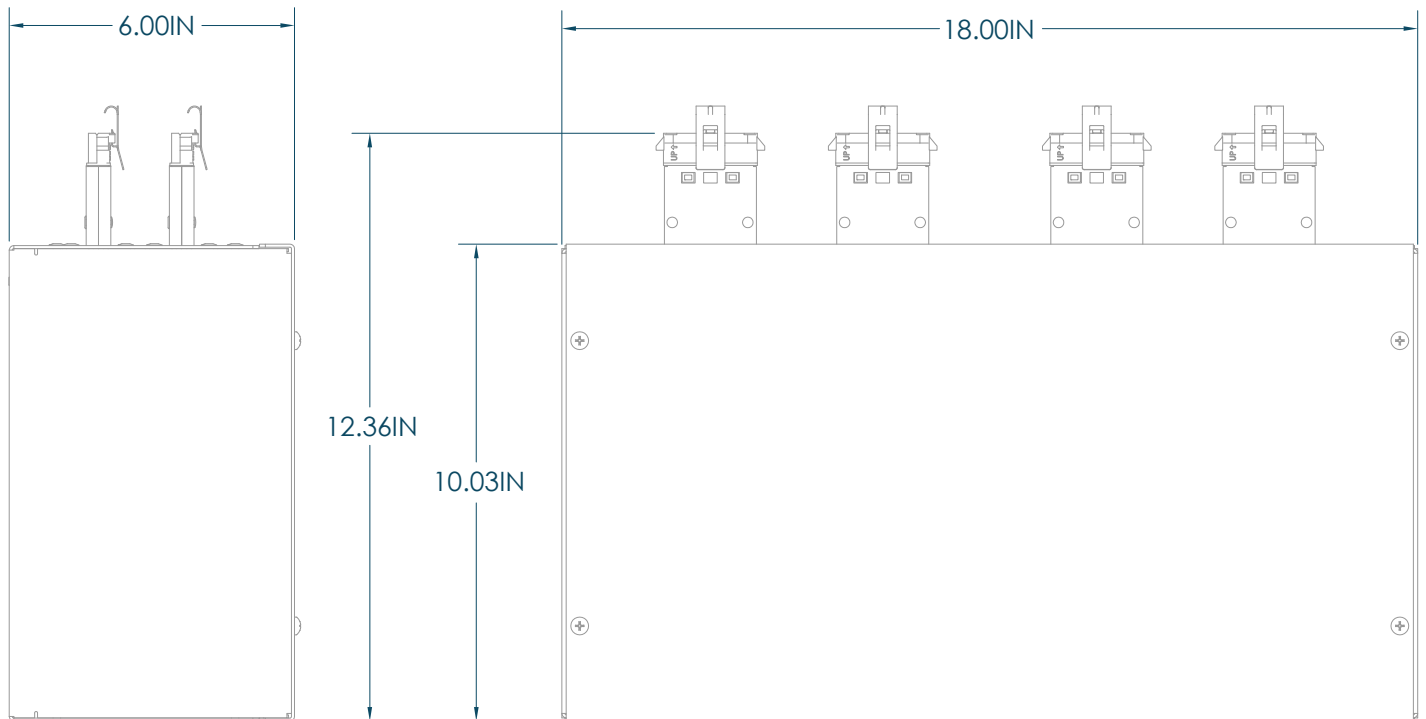
United States Patent No. 8,162,686

# BOX DIMENSIONS & SPECIFICATIONS

## 24 Circuit Panel Manager



(8X) 8-WIRE CONNECTOR  
MAX 4 CIRCUITS PER  
CONNECTION



### PANEL MANAGER BOX

42 Circuit has 14 – Panel Mount Quick-connect plugs

24 Circuit has 8 – Panel Mount Quick-connect plugs

Available in 3 circuit and 4 circuit Systems

United States Patent No. 8,162,686