

INTERFACE JUNCTION BOX

The Spider Agile Technology Interface Junction Box allows conversion from your existing electrical system to SAT modular wiring. The JB also allows conversion from SAT modular wiring systems to available furniture wiring systems. Wire configuration can be specified to work in accordance with your existing circuitry (3 or 4 Circuits per JB). Make this one last hard wire connection and take advantage of modular plug and play technology.



Integrates with:



quadra
NET



spider
NET

GENERAL SPECIFICATIONS

- Standard availability pre-wired with a 15" whip and quick connect end
- Whip can be specified from 15" up to 50ft length
- Can be specified in 3 or 4 circuit distribution
- Wiring and circuitry can be specified and constructed for your design configuration
- Corrosion Resistant 16 gauge galvanized steel box and lid
- Connectors (if specified) have color coded tags and polarity keys to prevent interconnection of 3 and 4 circuit components

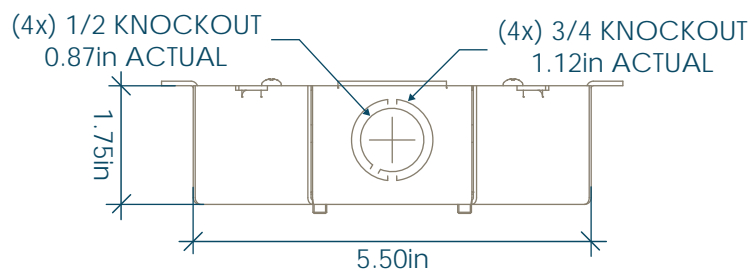
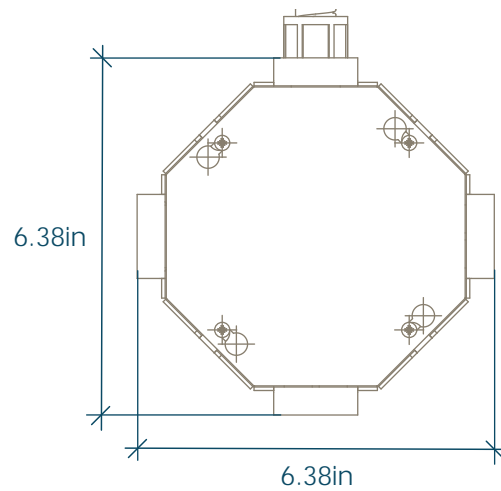
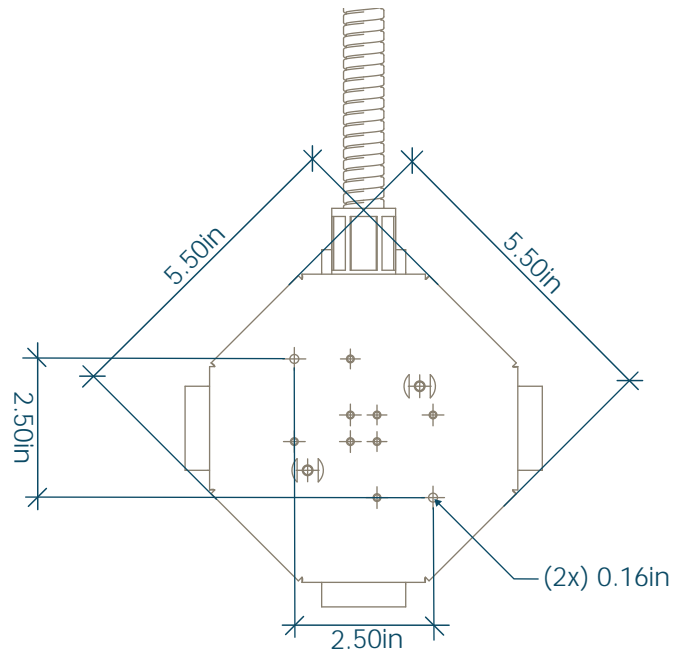
LISTINGS

- UL listed. Manufactured wiring system per UL 183
- CSA Certified to CSA standard C2.2 No 203-M

APPLICABLE CODES

- Interface-Junction Boxes must be installed in accordance with the NEC, CEC and local electrical codes

BOX DIMENSIONS & SPECIFICATIONS



JUNCTION BOX

1 - 15" (356mm) whips w/ male or female Quick-connect plugs

Available in 3 circuit or 4 circuit Systems or configured to meet job-specific conditions