

AFB101 BOX

The AFB101 Floor Box provides the capacity for installing multiple duplex power outlets as well as multiple data ports in a raised floor environment. The devices are contained in a metal enclosure under a unique double-hinged access door positioned flush with the surface of the raised floor system. The AFB can be configured to meet the requirements of even the most comprehensive specification and/or intense user requirements.



Integrates with:



quadra
NET



spider
NET

GENERAL SPECIFICATIONS

- 20 Amp 120V/208Y 60Hz
- Available empty or pre-wired with a 15" whip and quick connect end
- Access Floor Box provided with Patented double hinged lid (lid lays flat) and cord exit hatch
 - o Available in:
 - 6" (152mm) deep 4 gang
 - 10 5/8" X 8 5/8" trim dimension
 - Minimum cutout opening 9" x 7" (229mm x 178mm)
- Spider's Patented "QUICK IN" no assembly required installation
- Die cast body with removable wiring chamber
- 16 gauge galvanized steel box trim and wiring chamber
- Durable gray or black plastic lid
- Double hinged lid with a removable carpet inlay piece (carpet by others)
- Cable access hatches snap to the underside of the lid when open
- Faceplates (black, gray, ivory, white) supplied and installed by Spider
- Specify data face plates when data is specified otherwise the ports will come with a blank cover plate
- Connectors (if specified) have color coded tags and polarity keys to prevent interconnection of 3 and 4 circuit components

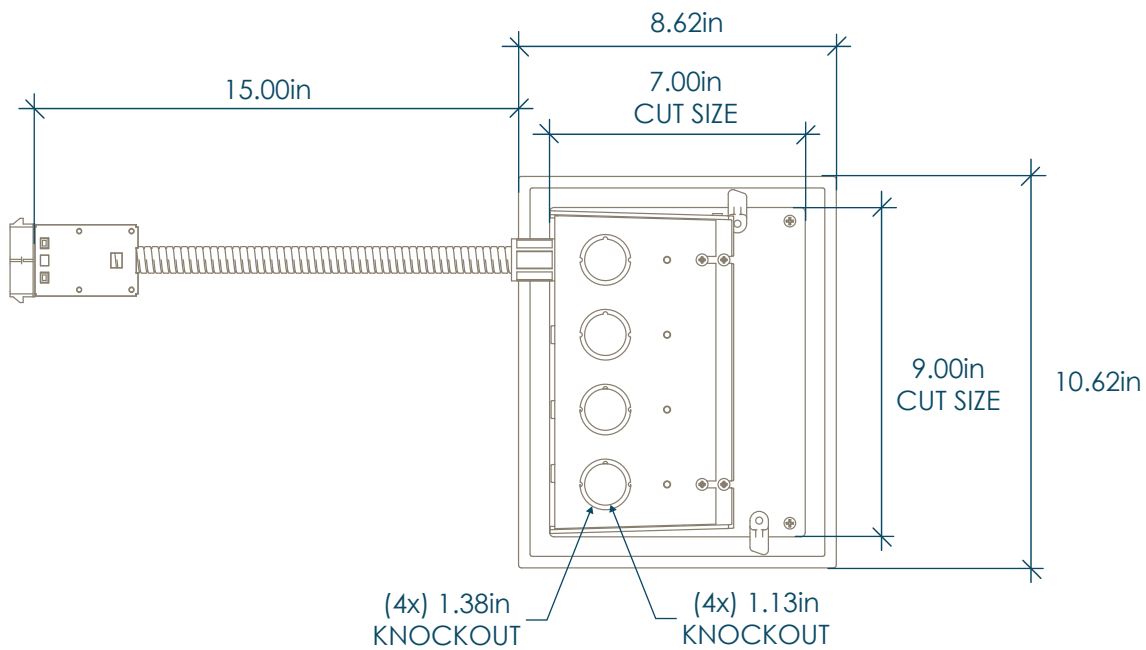
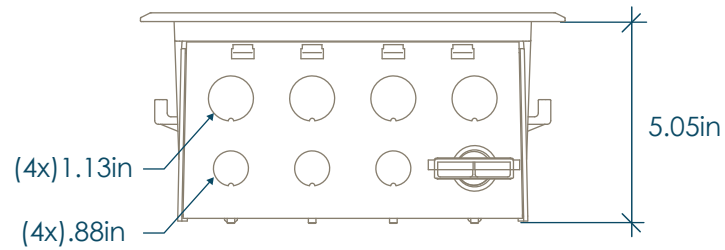
LISTINGS

- UL listed. Manufactured wiring system per UL 183.
- UL listed UL 514A Metallic Outlet Boxes
- CSA Certified to CSA standard C2.2 No 203-M

APPLICABLE CODES

- Access Floor boxes must be installed in accordance with the NEC, CEC and local electrical codes.

BOX DIMENSIONS & SPECIFICATIONS



AFB 101

1 - 15" (356mm) whips w/ male or female Quick-connect plugs

Available in 3 circuit or 4 circuit Systems or configured to meet job-specific conditions